

规格承认书

Specification for approval

产品名称: **004C** 车用保险丝快速取电器

**Product Type: Micro2 Micro II ATA Add A Circuit 32V
15A In-line Car Truck Mini Auto Fuse Holder UL1015 16AWG
Red With Fuse Adapter**

Ao littel Technology Co.Ltd.

Bld. 16,Yanhe East Road,Xiangdong Village, Dongguan 523833,
Guangdong,China

H.P.: 1371362419

QQ #: 3217998702

<http://www.passivemall.com/>

Fax #:0769-89390418

Email : eric.lye@aolittel.com

<http://www.aolittel.com/>

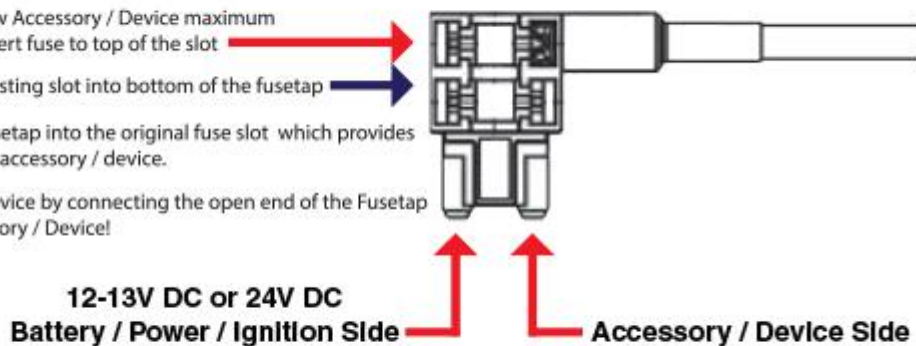
1. Description

The MICRO2 fuse is the new standard for vehicle circuit protection. Its sub-miniature design meets the need for more circuits to be protected while utilizing less space and its ability to cope with high temperatures in adverse environments makes the MICRO2 fuse the recommended choice for protection.

2. Best used for a easy and fast installs

Instructions:

1. Locate your fusebox and particular fuse to be used.
2. Remove the fuse from the slot you will be using.
3. Decide on your new Accessory / Device maximum AMPERAGE and insert fuse to top of the slot
4. Insert fuse from existing slot into bottom of the fusetap
5. Insert Lumision Fusetap into the original fuse slot which provides power to your new accessory / device.
6. Power your new device by connecting the open end of the Fusetap to your new Accessory / Device!



LEFT side on the fuse tap (looking straight at the fuse tap slots), should give you 12-13V DC Power EVEN WITHOUT a fuse in the slot. Please test to make sure with a DC Volt Meter, that power is active on the fuse slot without a fuse inserted!

3. Features

- ☑ MICRO2 standard fuse for vehicle circuit protection.
- ☑ Use with MICRO2 fuses up to 20 AMP each slot.
- ☑ Sub-miniature design meets the need for more circuits to be protected.
- ☑ Provide one fuse holder to protect existing circuit, and a second fuse holder to protect new circuit.
- ☑ Utilizing less space and able to cope with high temperatures in adverse environments.

4. USE OUR DUAL FUSE TAP TO POWER TO CAR ACCESSORIES:

Good for wiring power to these items

Car Black box

Car alarms

Remote starters

Car locators (theft recovery systems)

Engine block heaters

DVD players

Satellite radio

GPS

Cell phone charger

5. Specificaitons

Color: Black

Shape: Blade

Voltage: 32V

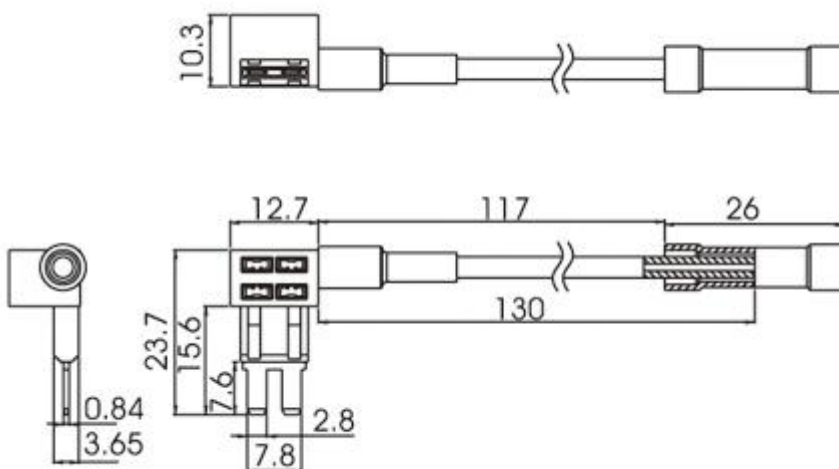
Fuse current: 20A

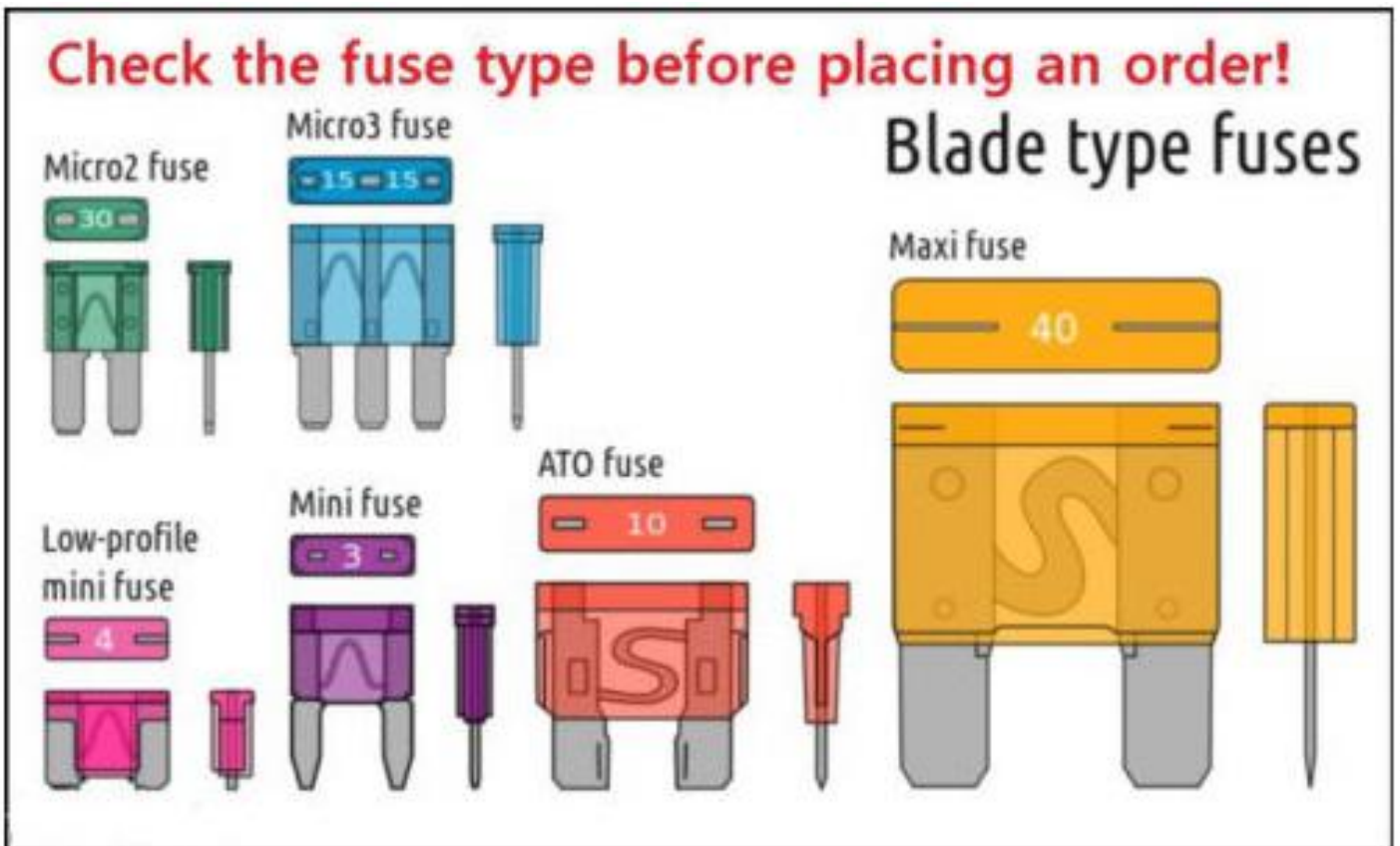
Fuse standard: Micro2 / ATA

Package size: 11 * 8cm / 4.3 * 3.1in

Weight: 8g / 0.27oz

6. Dimension (mm)





7. Installation Introduction

Installation is easy:

Simply remove an existing fuse from the fuse box, insert that fuse in to the bottom slot of the fuse tap.

Insert a suitable fuse for the new accessory in to the top slot.

Crimp your new live wire to the blue butt terminal on the fuse tap.

Insert the fuse tap into the fuse box slot where the fuse originally was.